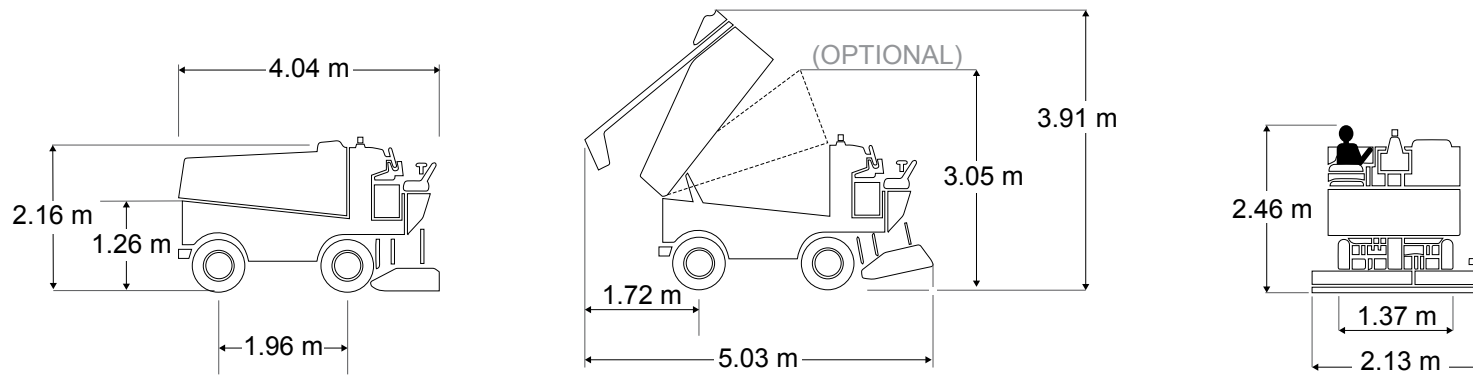


MODEL 546



CAPACITIES

Snow Tank

Actual Volume	2.83 m ³	100 cu. ft.
Compacted	3.54 m ³	125 cu. ft.

Water

Ice Making	738 L	195 gal.
Wash Water	310 L	82 gal.
Total	1048 L	277 gal.

Hydraulic Oil	95 L	25 gal.
----------------------	------	---------

POWERTRAIN

Four-Wheel Drive	
Engine	Kubota® 1.6 L / 50 HP at 3000 RPM Four Cylinder Liquid Cooled
Transmission	Continuously variable hydrostatic pump and motor are axial-piston type.
Hydraulics	Double pump powers the vertical and horizontal augers. Hydraulic down pressure for optimal resurfacing results.

Axles

Front	1950 kg	4300 lb
Rear	2903 kg	6400 lb

Brakes	Full Hydrodynamic Braking
---------------	---------------------------

DIMENSIONS

Overall

	L	W	H	L	W	H
Snow Tank Down	4.04 m	2.13 m	2.16 m	159 in.	84 in.	85 in.
Snow Tank Up	5.03 m	2.13 m	3.91 m	198 in.	84 in.	154 in.

Shaving Blade

	L	W	H	L	W	H
	195.6 cm	12.7 cm	1.27 cm	77 in.	5 in.	0.5 in.

Clearance

Minimum Operator Height Clearance	246.4 cm	97 in.
Snow Pit Clearance	125.7 cm	49.5 in.

Conveyor System

Horizontal Auger Diameter	25.4 cm	10 in.
Vertical Auger Diameter	25.4 cm	10 in.

Manueverability

Wheelbase	1.96 m	77 in.
Wheel Track	1.37 m	54 in.
Turning Radius at Conditioner	4.87 m	16 ft.

Weight

Empty	2912 kg	6420 lb
with Water	3910 kg	8620 lb



Advanced Water System — AWS™

Regulates the amount of water dispensed onto the ice relative to the machine speed for an efficient and even application.



Zamboni Power Brush™

Wider brush path reaches higher on the dasher board kick plate for superior cleaning power.



Engine Diagnostic PC Interface Tool

Interfaces with your PC to deliver valuable diagnostic data regarding the engine performance of your resurfacer.

MODEL 546

STANDARD FEATURES

- 2 Year Warranty
- 400 Micron Wash Water Deep Filter Bag
- Aluminum Alloy Wheels
- Chassis: Strong All Welded Steel Tubing
- Conditioner Safety Guards
- Digital Training and Reference Materials
- Engine: EPA and CARB Certified
- Familiar Automobile-Style Foot Controls
- Four-Wheel Drive
- Fuel Options: Gasoline, Propane
- Full Hydrodynamic Braking
- Guide Wheel
- Headlights and Tail Light (for Off Ice Travel)
- High Quality 10 and 20 Micron Filters
- High Speed Vertical Auger
- Hydraulic Oil Level Sight Gauge
- Load Sensing Engine Governor
- Multi-Function Display
- On-Dash Diagnostics

- Parking Brake
- Power Steering
- Premium Black Acrylic Spreader Towel
- Replaceable Poly Conditioner Side Plate
- Rugged Dana Spicer® Axles
- Rust-Free Poly Ice Making Water Tank
- Snow Tank Safety Stand
- Stainless Steel Hardware
- Steering Wheel Spinner Knob
- Touch-Up Paint Kit
- Tungsten Carbide Studded Tires
- Under Seat Storage
- Wide Spectrum of Premium Automotive Paint Colors

OPTIONS

- Advanced Water System (AWS™)
- Automatic Snow Breaker
- Back Up Alarm
- Blade Change System
- Cab Enclosure
- Conditioner: 96" Blade
- Conditioner: Galvanized
- Electric Water Level Gauge
- Engine Diagnostic Computer Interface Tool
- Front Squeegee
- Hydraulic Oil Cooler Kit
- IceCaps® Wheel Advertising System
- Low Fuel Light
- Low Guide Wheel
- Snow Melting Kit
- Snow Tank Dump Height Restriction
- Snow Tank Light
- Stainless Steel Water Distribution Pipe

- Tire Wash System
- V-Plow
- Wash Water to Ice Making Water Transfer
- Water Level Sight Gauge
- Zamboni Power Brush™ Board Brush System